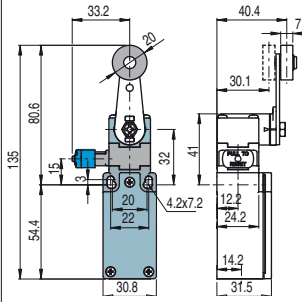


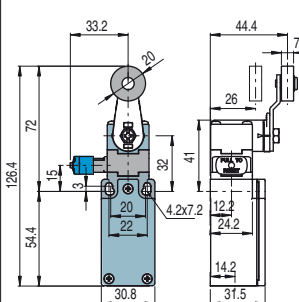
Contact type:

R = snap action
L = slow action

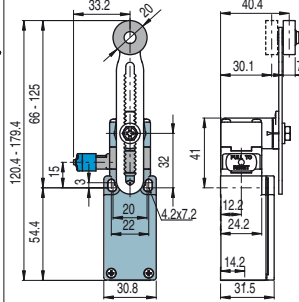
Other rollers available. See on page 82



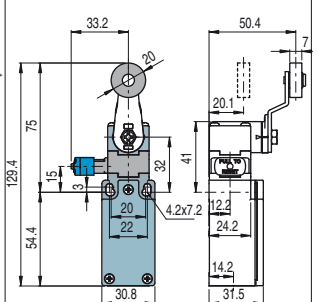
Other rollers available. See on page 82



Other rollers available. See on page 82



Other rollers available. See on page 82

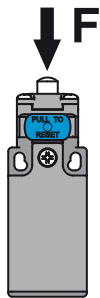


Contact blocks

6	L	FM 652-W3M2	⊕ 1NO+1NC	FM 654-W3M2	⊕ 1NO+1NC	FM 656-W3M2	⊕ 1NO+1NC	FM 657-W3M2	⊕ 1NO+1NC
9	L	FM 952-W3M2	⊕ 2NC	FM 954-W3M2	⊕ 2NC	FM 956-W3M2	⊕ 2NC	FM 957-W3M2	⊕ 2NC
10	L	FM 1052-W3M2	2NO	FM 1054-W3M2	2NO	FM 1056-W3M2	2NO	FM 1057-W3M2	2NO
20	L	FM 2052-W3M2	⊕ 1NO+2NC	FM 2054-W3M2	⊕ 1NO+2NC	FM 2056-W3M2	⊕ 1NO+2NC	FM 2057-W3M2	⊕ 1NO+2NC
21	L	FM 2152-W3M2	⊕ 3NC	FM 2154-W3M2	⊕ 3NC	FM 2156-W3M2	⊕ 3NC	FM 2157-W3M2	⊕ 3NC
22	L	FM 2252-W3M2	⊕ 2NO+1NC	FM 2254-W3M2	⊕ 2NO+1NC	FM 2256-W3M2	⊕ 2NO+1NC	FM 2257-W3M2	⊕ 2NO+1NC
2	R	FM 252-W3M2	2NO+2NC	FM 254-W3M2	2NO+2NC	FM 256-W3M2	2NO+2NC	FM 257-W3M2	2NO+2NC
Max. speed		page 239 - type 1		page 239 - type 1		page 239 - type 1		page 239 - type 1	
Min. force		0.07 Nm (0.25 Nm ⊕)		0.07 Nm (0.25 Nm ⊕)		0.07 Nm (0.25 Nm ⊕)		0.07 Nm (0.25 Nm ⊕)	
Travel diagrams		page 241 - group 4		page 241 - group 4		page 241 - group 4		page 241 - group 4	

All measures in the drawings are in mm

Increased actuating force



The switch can be delivered with increased actuating force (option W4). Ideal for applications with vibrations.

Actuators	Min. force
01, 14, 15, 16	7 N
02, 05	6 N
07	3.5 N
30 ... 57	0.08 Nm